

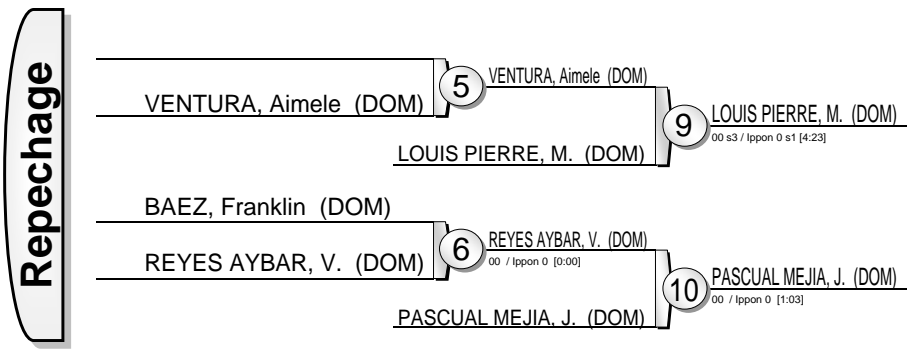
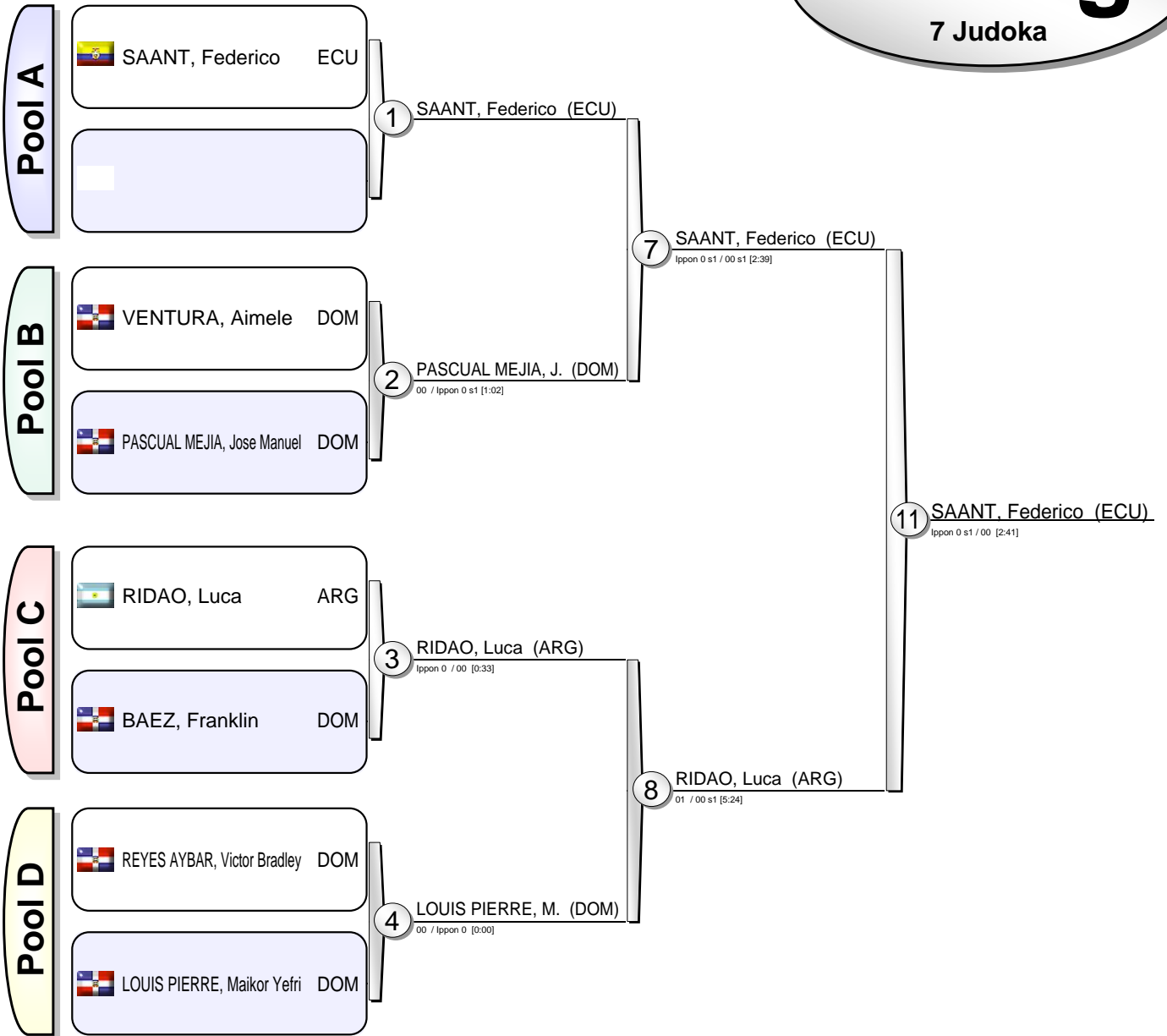


# Cadet Pan-American Cup Santo Domingo 2019

(DOM Santo Domingo, 5 May 2019)

# -50 kg

7 Judoka



Results		
1.	SAANT, Federico	ECU
2.	RIDAO, Luca	ARG
3.	LOUIS PIERRE, Maikor Yefri	DOM
3.	PASCUAL MEJIA, Jose Manuel	DOM
5.	VENTURA, Aimele	DOM
5.	REYES AYBAR, Victor Bradley	DOM
7.		
7.	BAEZ, Franklin	DOM

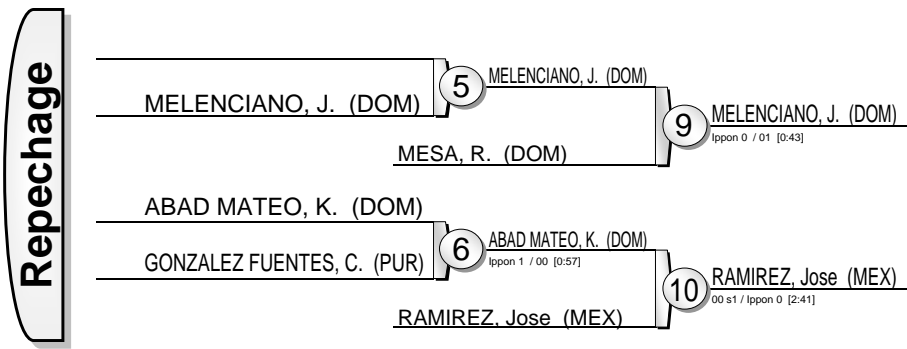
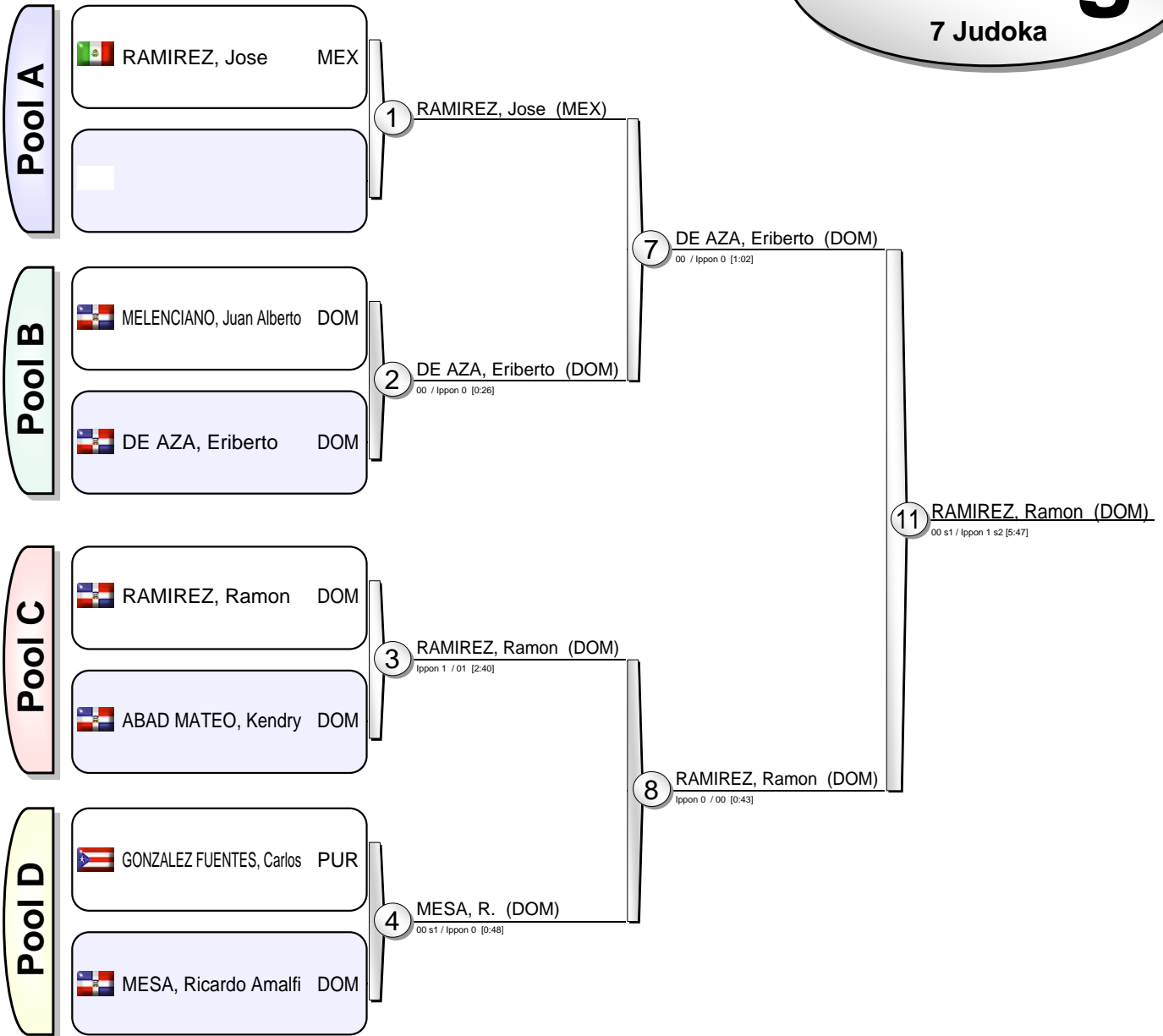


# Cadet Pan-American Cup Santo Domingo 2019

(DOM Santo Domingo, 5 May 2019)

# -55 kg

7 Judoka



Results		
1.	RAMIREZ, Ramon	DOM
2.	DE AZA, Eriberto	DOM
3.	MELENCIANO, Juan Alberto	DOM
3.	RAMIREZ, Jose	MEX
5.	MESA, Ricardo Amalfi	DOM
5.	ABAD MATEO, Kendry	DOM
7.		
7.	GONZALEZ FUENTES, Carlos	PUR

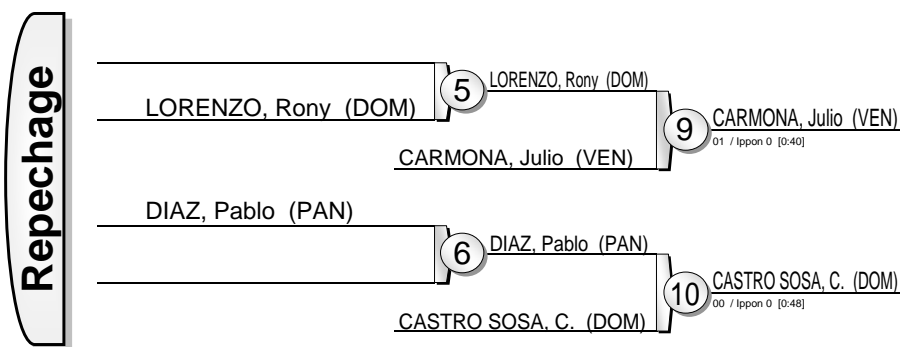
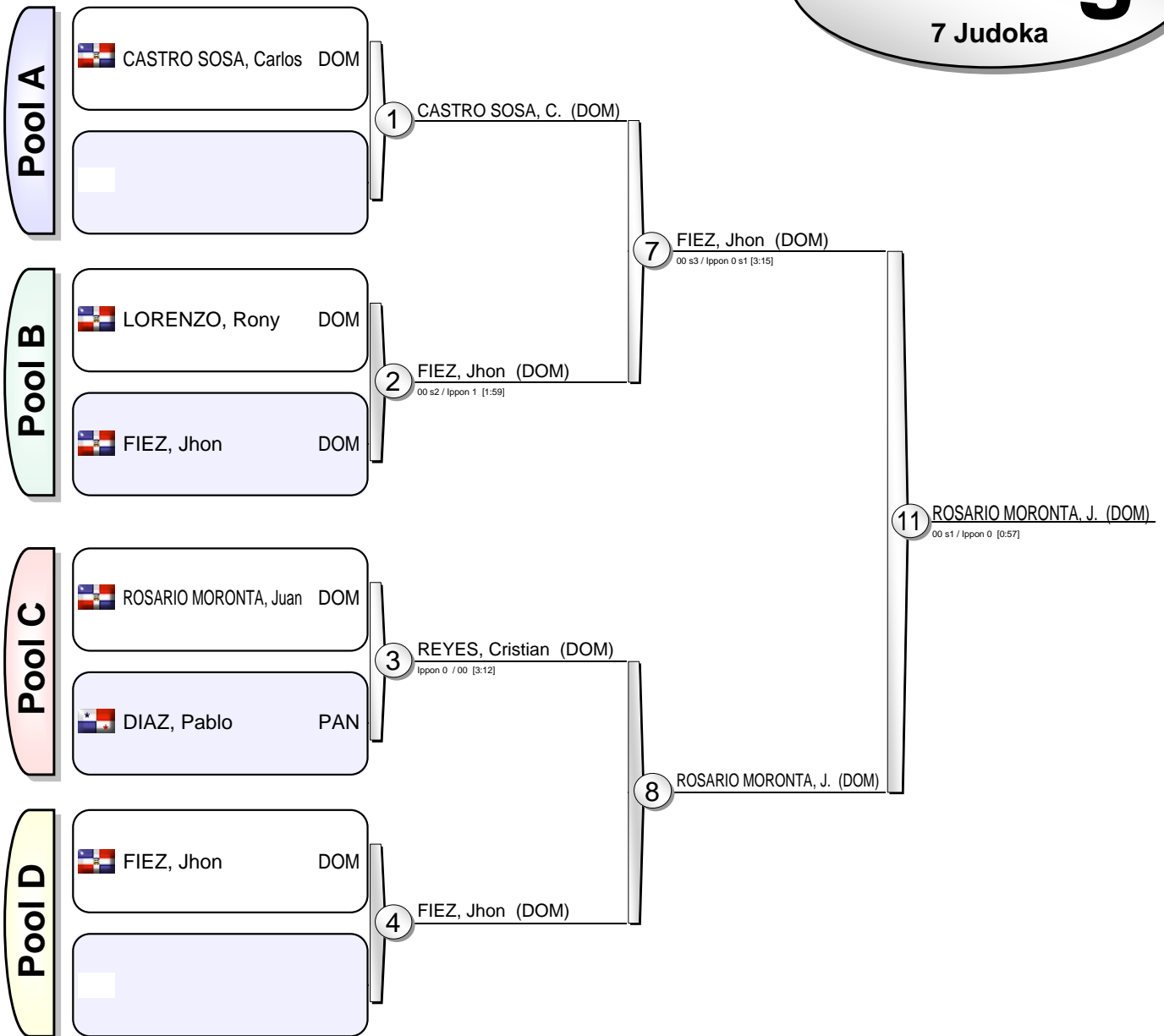


# Cadet Pan-American Cup Santo Domingo 2019

(DOM Santo Domingo, 5 May 2019)

# -60 kg

7 Judoka



## Results

1. ROSARIO MORONTA, Juan (DOM)
2. FIEZ, Jhon (DOM)
3. CARMONA, Julio (VEN)
3. CASTRO SOSA, Carlos (DOM)
5. LORENZO, Rony (DOM)
5. DIAZ, Pablo (PAN)
- 7.
- 7.

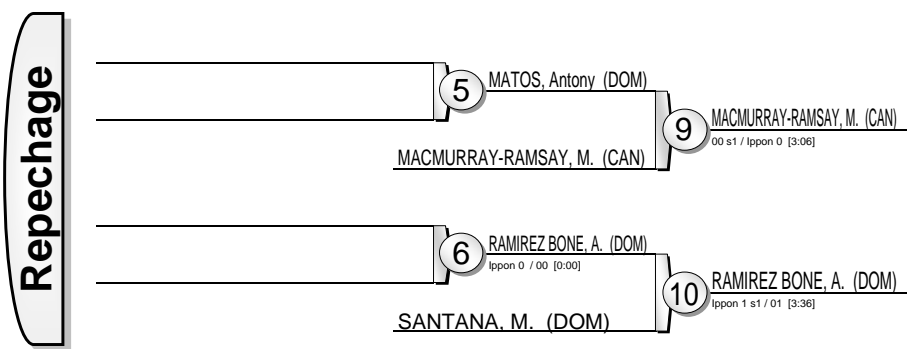
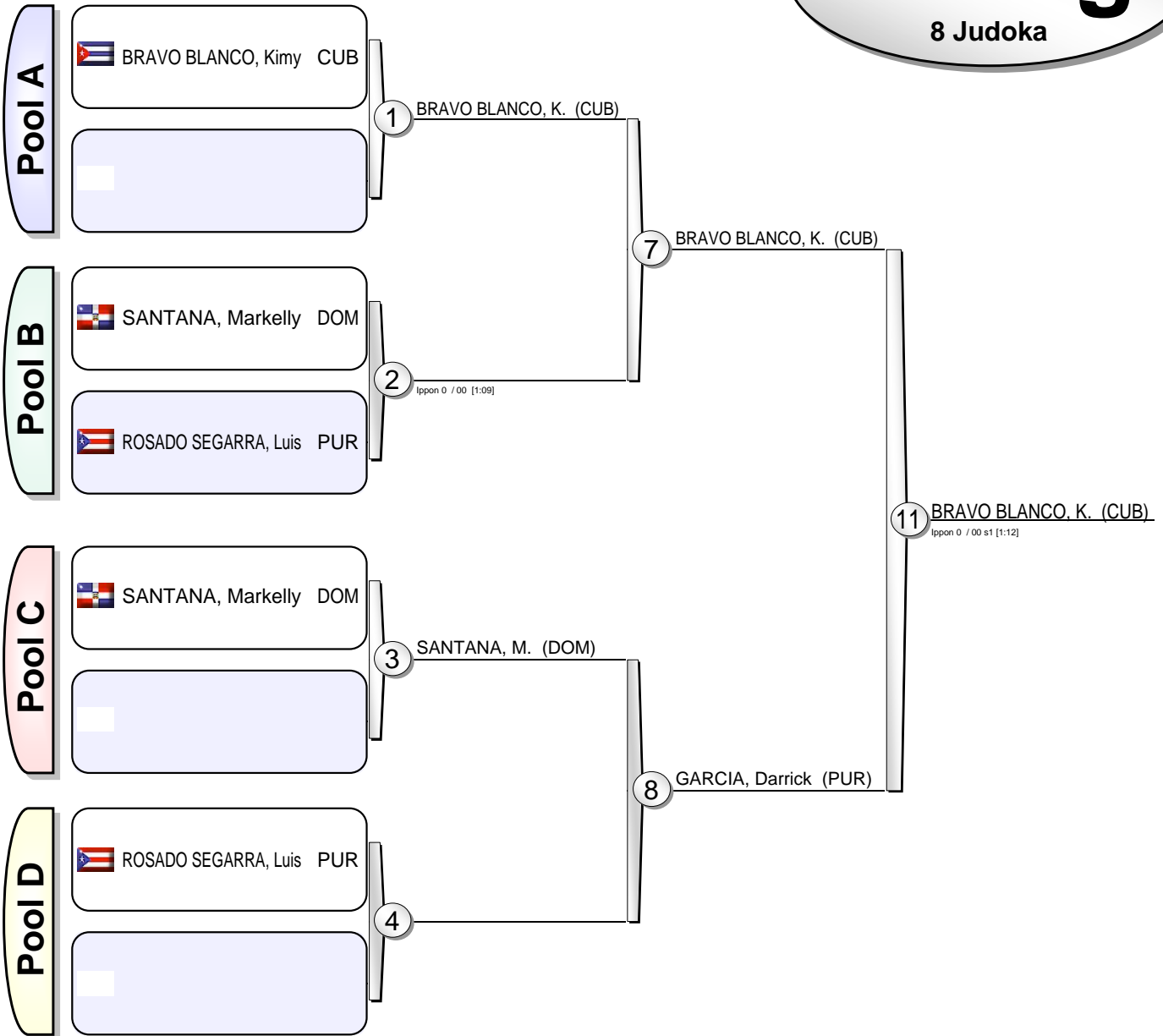


# Cadet Pan-American Cup Santo Domingo 2019

(DOM Santo Domingo, 5 May 2019)

# -66 kg

8 Judoka



Results		
1.	BRAVO BLANCO, Kimy	CUB
2.	GARCIA, Darrick	PUR
3.	MACMURRAY-RAMSAY, Mason	CAN
3.	RAMIREZ BONE, Antony	DOM
5.	MATOS, Antony	DOM
5.	SANTANA, Markelly	DOM
7.		
7.	AMADIS BRASOBAN, Adelys Alexander	DOM



# Cadet Pan-American Cup Santo Domingo 2019

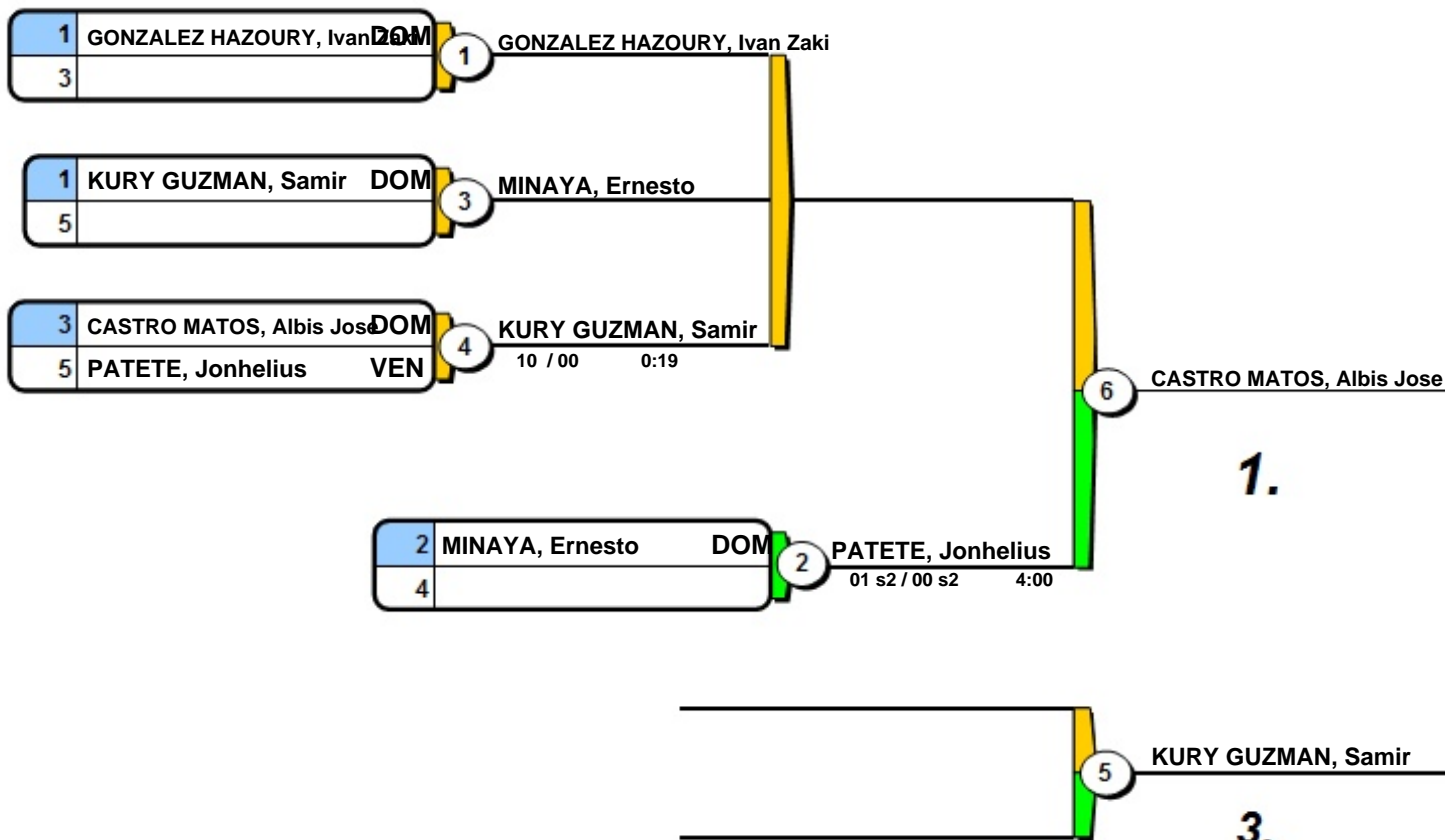
(DOM Santo Domingo, 5 May 2019)

# -73 kg

5 Judoka

	1	3	5		
1 GONZALEZ HAZOURY, Ivan Zaki DOM		1		1 (0)	
3	0			0 (0)	
5				0 (0)	

	2	4		
2 MINAYA, Ernesto DOM				
4				



1. CASTRO MATOS, Albis Jose DOM
- 2.
3. KURY GUZMAN, Samir DOM

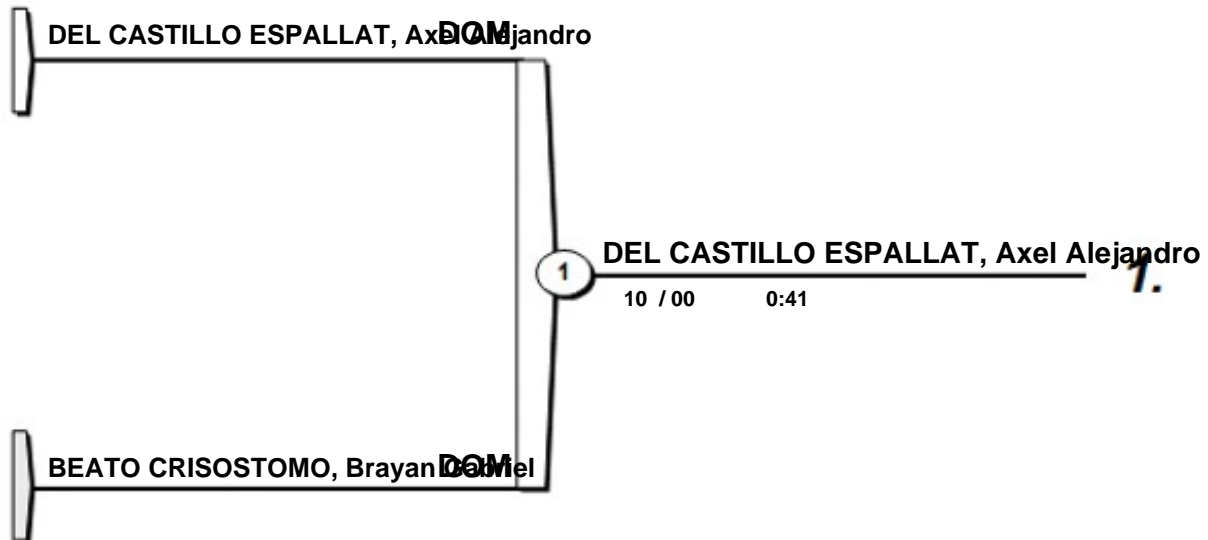


# Gadet Pan-American Cup Santo Domingo 2019

(DOM Santo Domingo, 5 May 2019)

# -81 kg

2 Judoka



1. DEL CASTILLO ESPALLAT, Axel Alejandro (DOM)



# Cadet Pan-American Cup Santo Domingo 2019

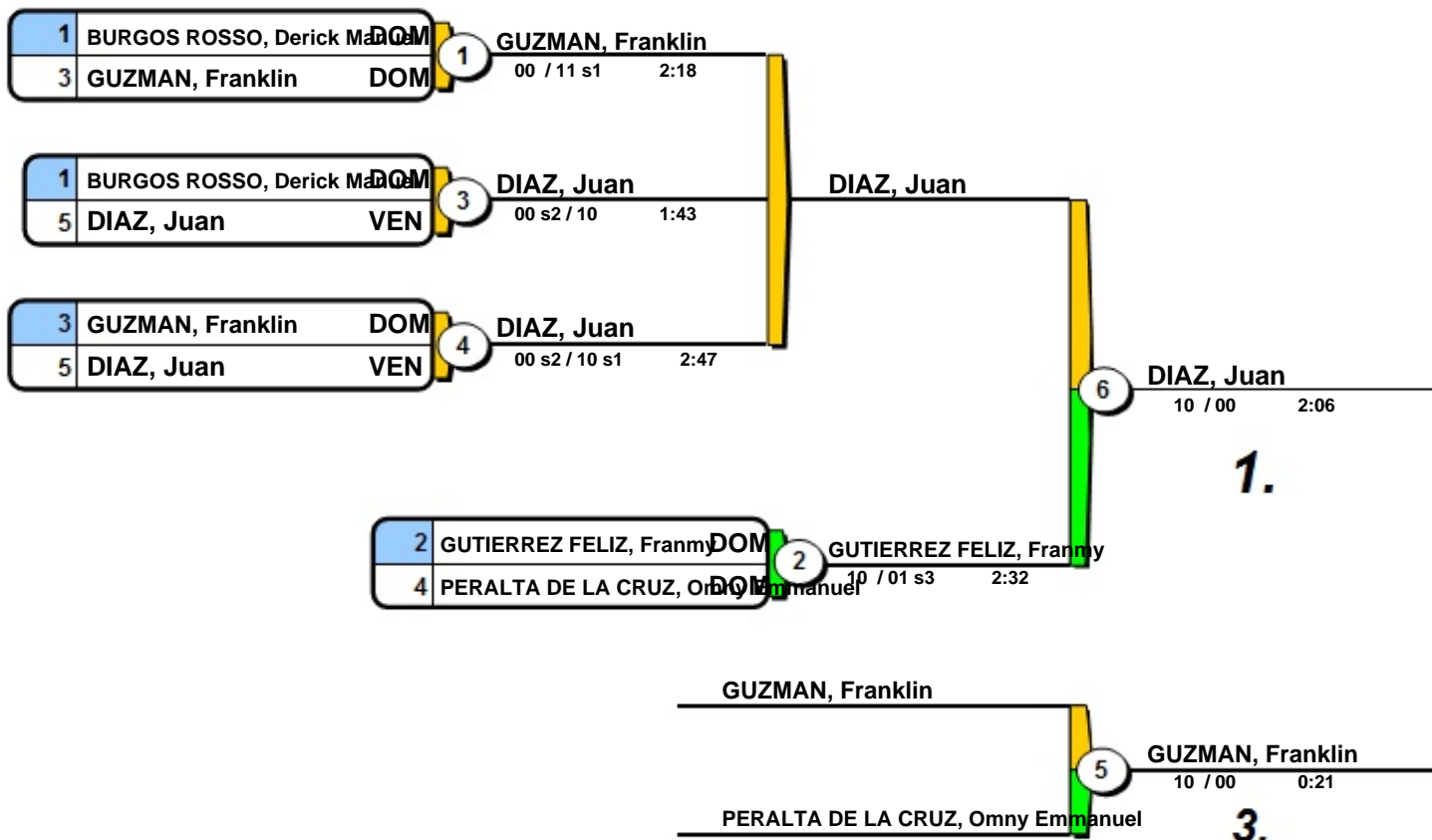
(DOM Santo Domingo, 5 May 2019)

## -90 kg

5 Judoka

	1	3	5		
<b>1</b> BURGOS ROSSO, Derick Manuel DOM		<b>0</b>	<b>0</b>	0 (0)	
<b>3</b> GUZMAN, Franklin DOM	<b>1</b> <sub>0</sub>		<b>0</b>	1 (10)	
<b>5</b> DIAZ, Juan VEN	<b>1</b> <sub>0</sub>	<b>1</b> <sub>0</sub>		2 (10)	

	2	4		
<b>2</b> GUTIERREZ FELIZ, Franmy DOM		<b>1</b> <sub>0</sub>		
<b>4</b> PERALTA DE LA CRUZ, Omny Emmanuel DOM	<b>0</b>			



1. DIAZ, Juan VEN
2. GUTIERREZ FELIZ, Franmy DOM
3. GUZMAN, Franklin DOM



# Cadet Pan-American Cup Santo Domingo 2019

(DOM Santo Domingo, 5 May 2019)

## +90 kg

3 Judoka

			1	2	3		
1	MARTE FURMET, Gabriel	DOM		+	-	1 (10)	
2	JAVIER ARIAS, Julio Cesar	DOM	-		-	0 (0)	
3	JARA, Jose Ignacio	CHI	+	+		2 (20)	

1	MARTE FURMET, Gabriel	DOM	1	MARTE FURMET, Gabriel	DOM
2	JAVIER ARIAS, Julio Cesar	DOM		10 / 00	0:00

1	MARTE FURMET, Gabriel	DOM	2	JARA, Jose Ignacio	CHI
3	JARA, Jose Ignacio	CHI		00 / 10	1:22

2	JAVIER ARIAS, Julio Cesar	DOM	3	JARA, Jose Ignacio	CHI
3	JARA, Jose Ignacio	CHI		00 / 10	0:06

1. JARA, Jose Ignacio CHI
2. MARTE FURMET, Gabriel DOM