



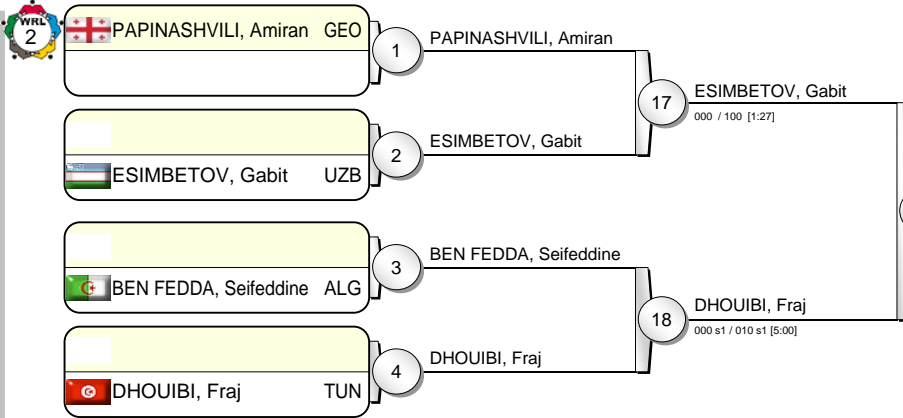
# IJF Grand Prix Tunis 2009

(TUN Tunis, 09-10 May 2009)

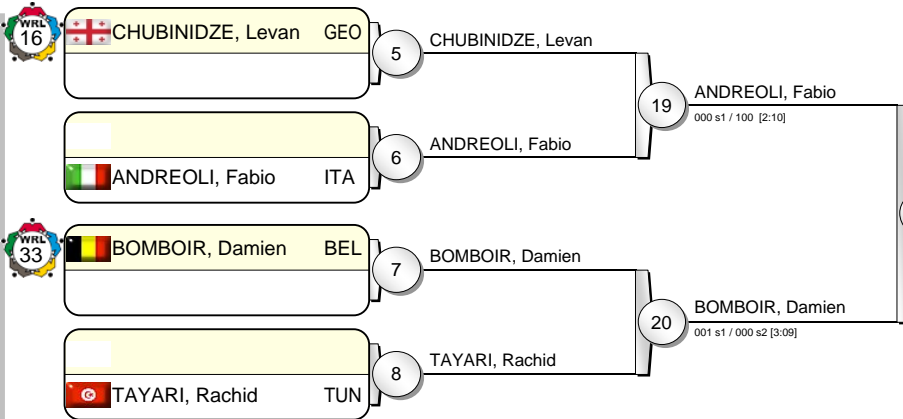
# -60 kg

17 Judoka

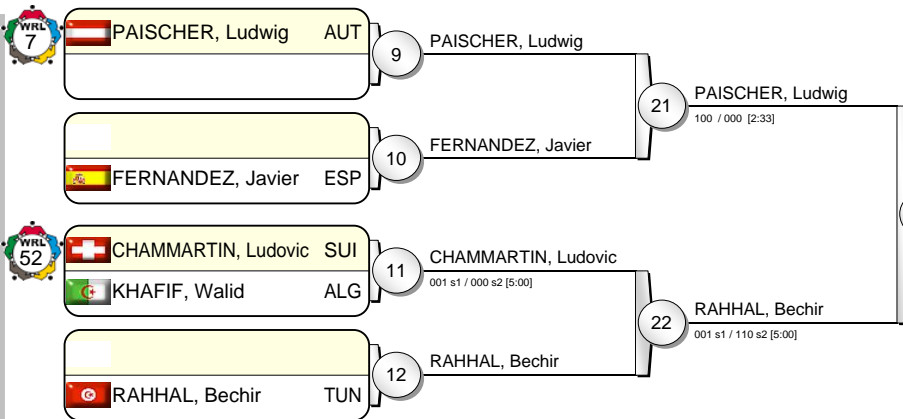
Pool A



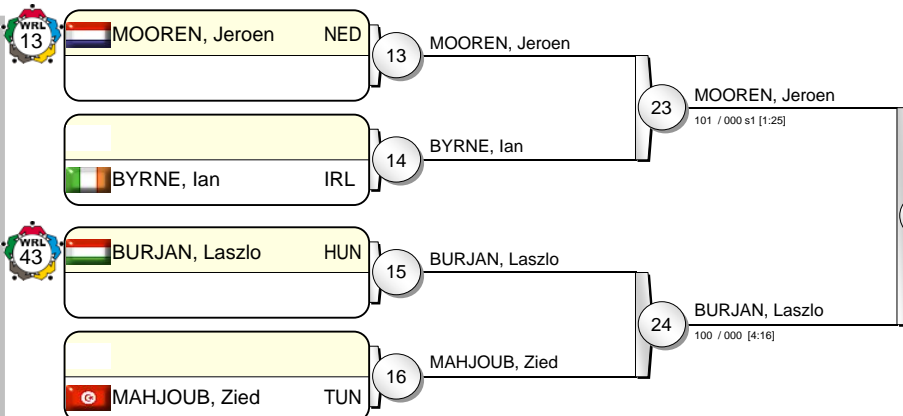
Pool B



Pool C



Pool D



MOOREN, Jeroen NED 31  
000 / 100 [0:49]

30 MOOREN, Jeroen  
000 / 100 [2:07]

## Results

- |                     |     |  |
|---------------------|-----|--|
| 1. MOOREN, Jeroen   | NED |  |
| 2. BOMBOIR, Damien  | BEL |  |
| 3. ESIMBETOV, Gabit | UZB |  |
| 3. PAISCHER, Ludwig | AUT |  |
| 5. DHOUIBI, Fraj    | TUN |  |
| 5. ANDREOLI, Fabio  | ITA |  |
| 5. RAHHAL, Bechir   | TUN |  |
| 5. BURJAN, Laszlo   | HUN |  |





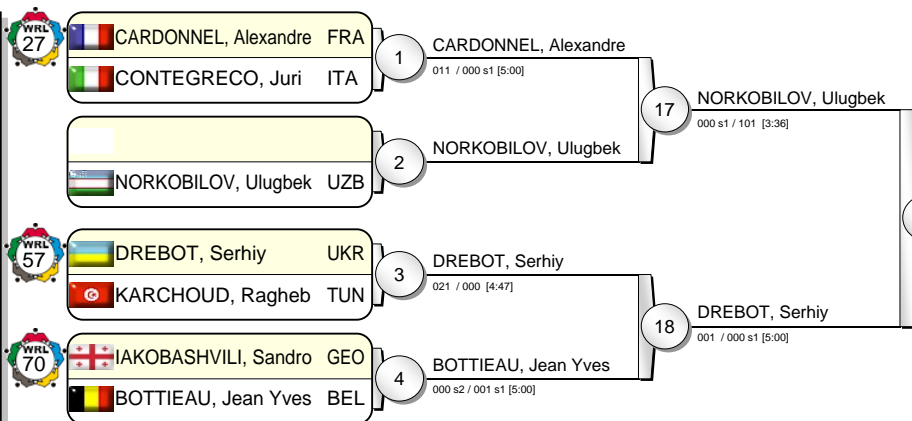
# IJF Grand Prix Tunis 2009

(TUN Tunis, 09-10 May 2009)

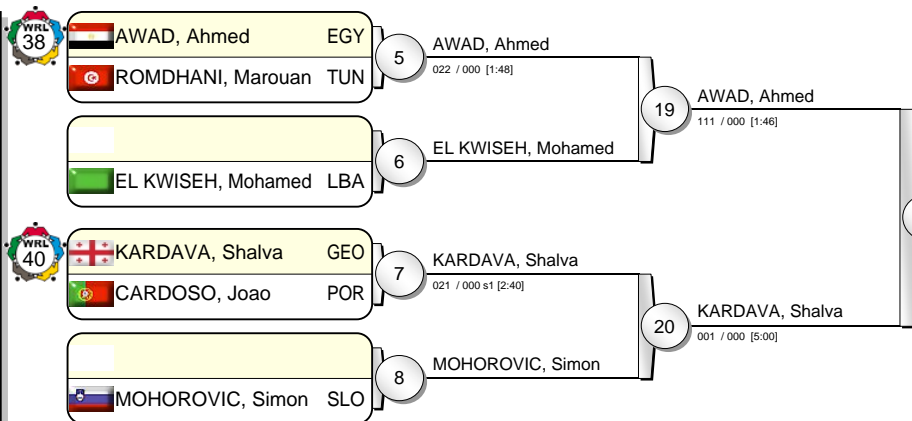
# -66 kg

25 Judoka

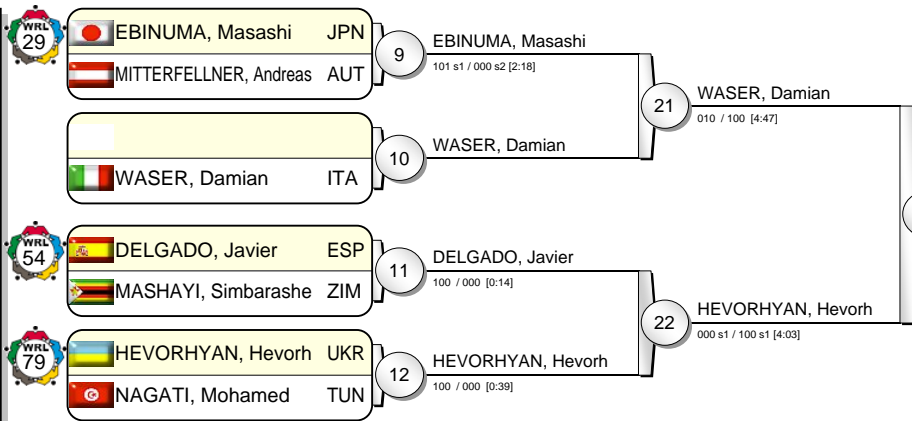
Pool A



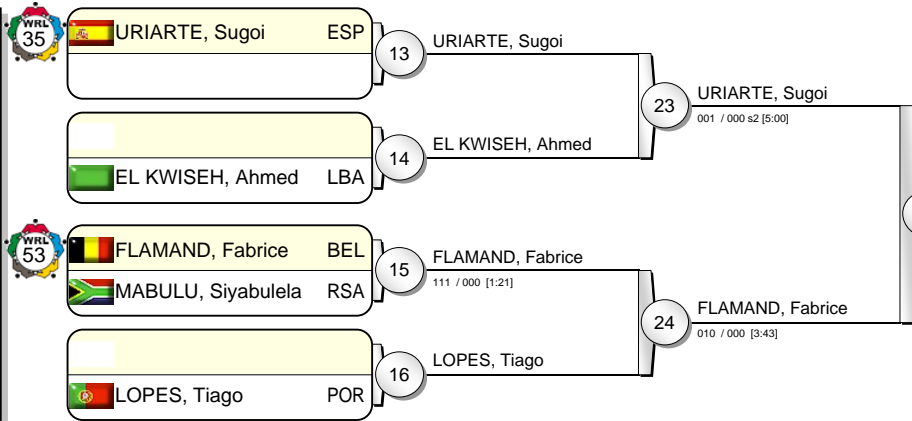
Pool B



Pool C



Pool D



URIARTE, Sugoi ESP 31 (000 s3 / 010 s1 [5:00])

30. URIARTE, Sugoi (000 s2 / 001 [3:34])

## Results

1. URIARTE, Sugoi ESP
2. DREBOT, Serhiy UKR
3. AWAD, Ahmed EGY
3. HEVORHYAN, Hevorh UKR
5. NORKOBILOV, Ulugbek UZB
5. KARDAVA, Shalva GEO
5. WASER, Damian ITA
5. FLAMAND, Fabrice BEL





# IJF Grand Prix Tunis 2009

(TUN Tunis, 09-10 May 2009)

# -73 kg

28 Judoka

Pool A

WRL 6

BEN HASSEN, Seifeddine TUN 1 BEN HASSEN, Seifeddine  
101 / 002 s1 [4:23]

POETA, Luca ITA 2

VAN DIJK, Bryan NED 2 VAN DIJK, Bryan  
001 / 011 s2 [5:00]

WRL 46

SCHARINGER, Peter AUT 3 SCHARINGER, Peter  
010 / 000 s1 [5:00]

GRINI, Larbi ALG 3

JEREB, Saso SLO 4 ROMERO, Miguel  
000 / 001 [4:03]

WRL 65

ROMERO, Miguel ESP 4

Pool B

WRL 25

VOELK, Christopher GER 5 VOELK, Christopher  
100 / 000 s1 [2:21]

ALQUBAISI, Saeed Rached UAE 5

WRL 84

ADAMIEC, Tomasz POL 6 ADAMIEC, Tomasz  
100 / 000 s1 [2:29]

FASIE, Dan Gheorghe ROU 6

WRL 27

OTSUKA, Masahiko JPN 7 OTSUKA, Masahiko

OTSUKA, Masahiko 20

WRL 73

KHOMIZURI, Mikheil GEO 8 KHOMIZURI, Mikheil  
100 / 000 s1 [1:38]

BARHOUMI, Hamza TUN 8

Pool C

WRL 10

VAN TICHELDT, Dirk BEL 9 VAN TICHELDT, Dirk  
010 / 000 s1 [5:00]

PAULIN, Mc Leon MRI 9

CRNOV, Dragan CRO 10 CRNOV, Dragan  
101 / 000 [2:59]

WRL 30

PAPOSHVILI, Tengiz GEO 11 PAPOSHVILI, Tengiz  
011 s1 / 000 s1 [5:00]

DKHILI, Anis TUN 11

WRL 70

BOTTIEAU, Joachim BEL 12 BOTTIEAU, Joachim  
012 / 000 [5:00]

VAN ZYL, Gideon RSA 12

Pool D

WRL 18

PAPAUX, David SUI 13 PAPAUX, David  
020 / 010 s1 [3:56]

NABIEV, Mumin UZB 13

MANNING, Lloyd IRL 14 MANNING, Lloyd  
021 / 001 s1 [2:50]

WRL 29

RIAD, Mohamed FRA 15 RIAD, Mohamed  
100 / 000 s1 [0:56]

HAMDANI, Mahdi TUN 15

WRL 73

DI CRISTO, Giovanni ITA 16 OLEINIC, Vladimir  
000 / 010 [3:57]

OLEINIC, Vladimir POR 16

VAN DIJK, Bryan NED 31  
100 / 000 s1 [3:00]

## Results

- |                       |     |  |
|-----------------------|-----|--|
| 1. VAN DIJK, Bryan    | NED |  |
| 2. RIAD, Mohamed      | FRA |  |
| 3. ADAMIEC, Tomasz    | POL |  |
| 3. VAN TICHELDT, Dirk | BEL |  |
| 5. SCHARINGER, Peter  | AUT |  |
| 5. OTSUKA, Masahiko   | JPN |  |
| 5. BOTTIEAU, Joachim  | BEL |  |
| 5. PAPAUX, David      | SUI |  |





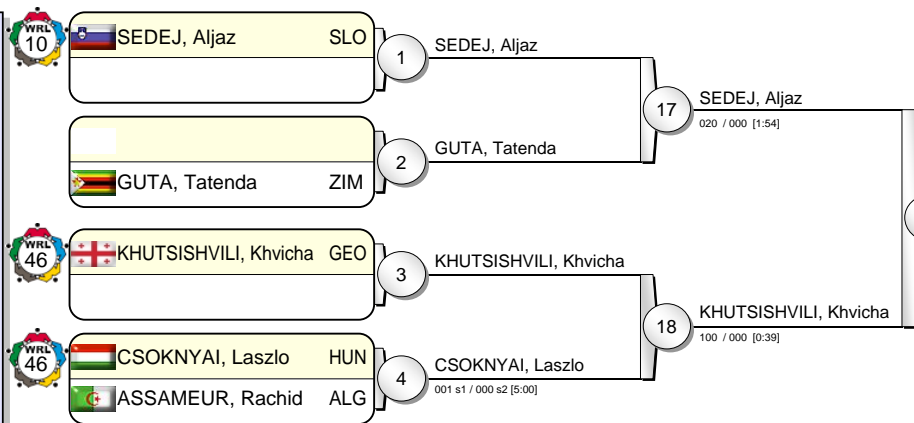
# IJF Grand Prix Tunis 2009

(TUN Tunis, 09-10 May 2009)

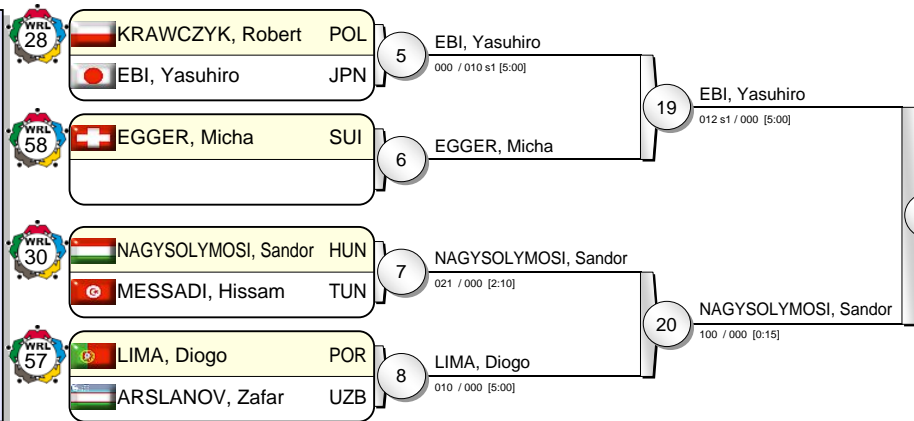
# -81 kg

23 Judoka

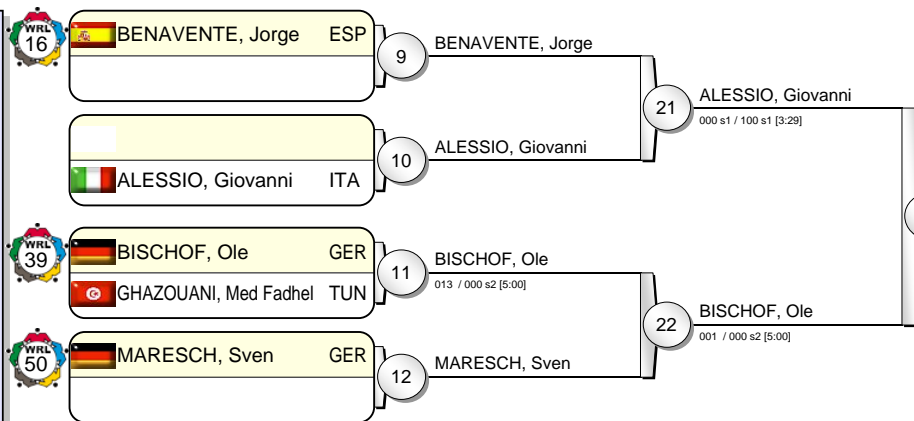
Pool A



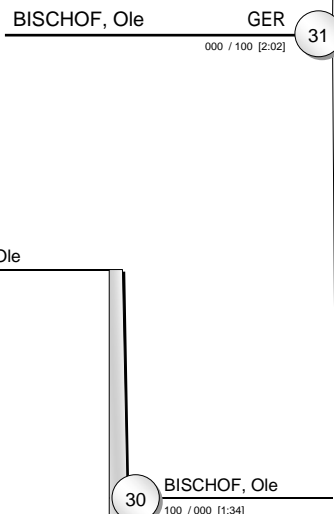
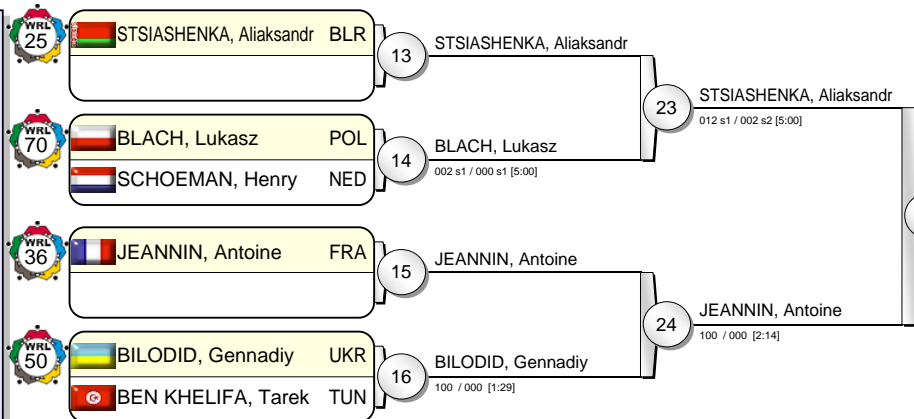
Pool B



Pool C



Pool D



## Results

- |    |                         |     |  |
|----|-------------------------|-----|--|
| 1. | BISCHOF, Ole            | GER |  |
| 2. | KHUTSISHVILI, Khvicha   | GEO |  |
| 3. | EBI, Yasuhiro           | JPN |  |
| 3. | STSIASHENKA, Aliaksandr | BLR |  |
| 5. | SEDEJ, Aljaz            | SLO |  |
| 5. | NAGYSOLYMOSI, Sandor    | HUN |  |
| 5. | ALESSIO, Giovanni       | ITA |  |
| 5. | JEANNIN, Antoine        | FRA |  |





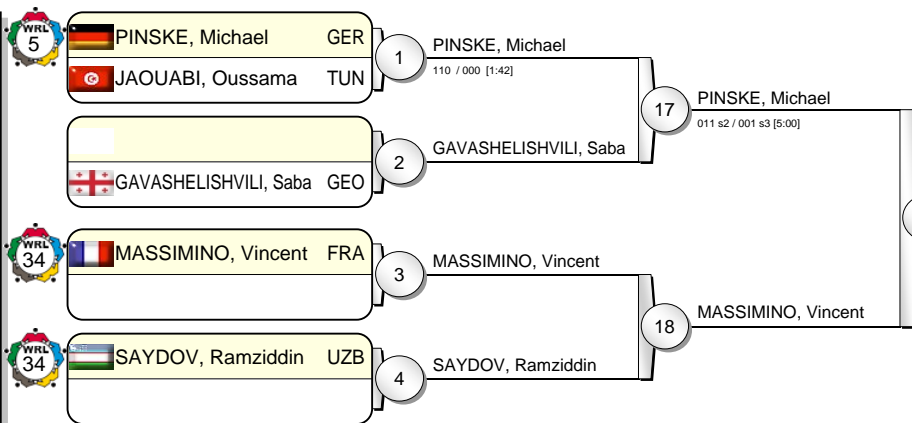
# IJF Grand Prix Tunis 2009

(TUN Tunis, 09-10 May 2009)

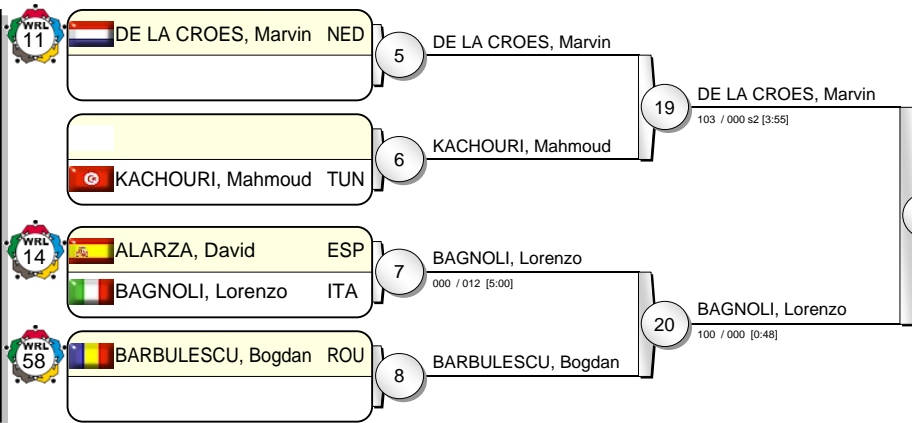
# -90 kg

21 Judoka

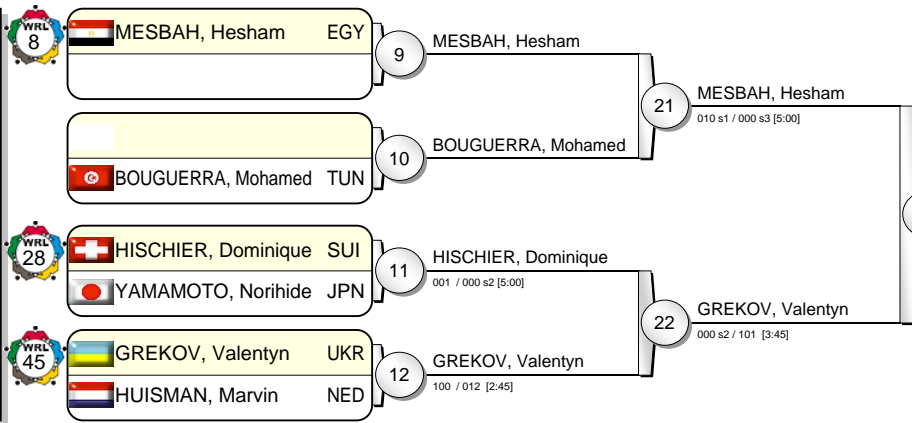
Pool A



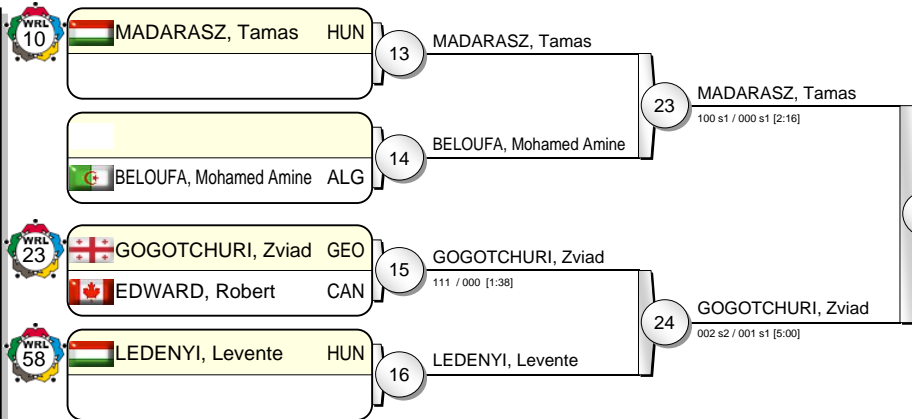
Pool B



Pool C



Pool D



BAGNOLI, Lorenzo ITA 100 / 000 [4:36] 31

## Results

- BAGNOLI, Lorenzo ITA
- GREKOV, Valentyn UKR
- PINSKE, Michael GER
- 
- MASSIMINO, Vincent FRA
- DE LA CROES, Marvin NED
- MESBAH, Hesham EGY
- GOGOTCHURI, Zviad GEO





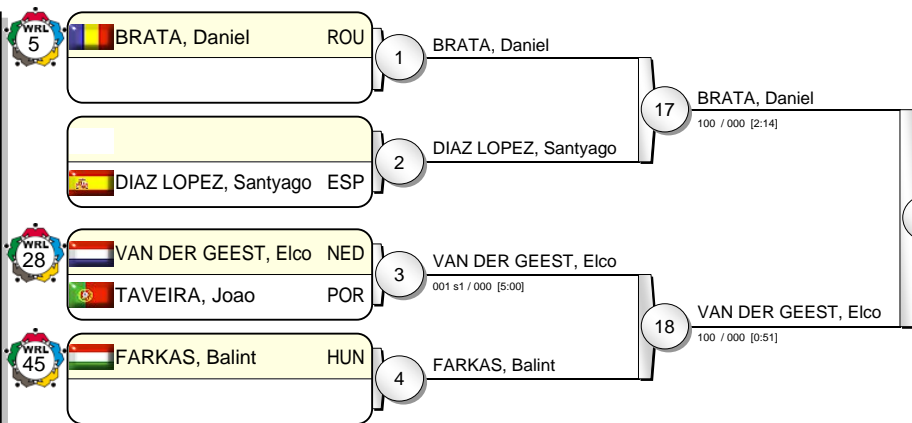
# IJF Grand Prix Tunis 2009

(TUN Tunis, 09-10 May 2009)

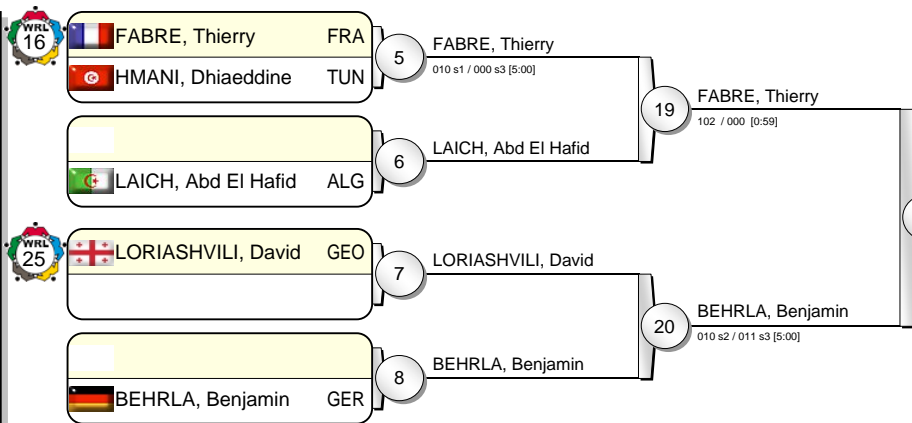
# -100 kg

21 Judoka

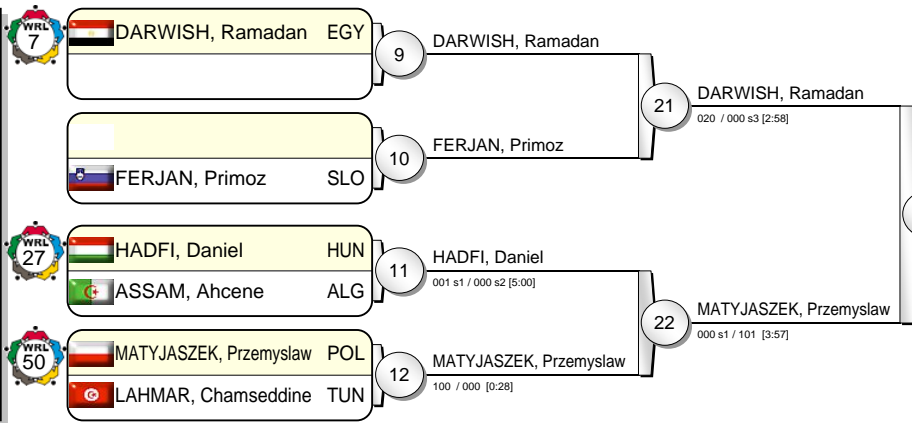
Pool A



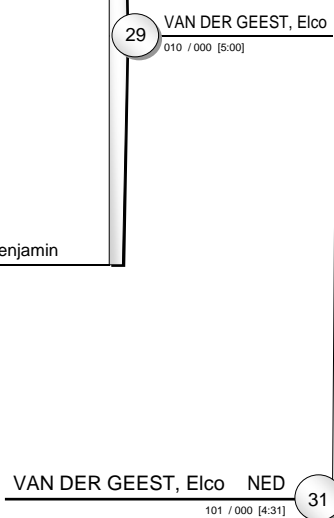
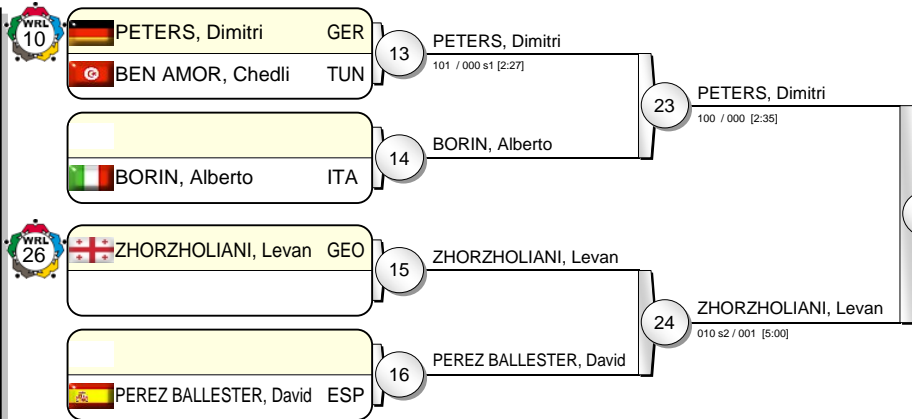
Pool B



Pool C



Pool D



VAN DER GEEST, Elco NED 101 / 000 [4:31] 31

## Results

- |    |                        |     |  |
|----|------------------------|-----|--|
| 1. | VAN DER GEEST, Elco    | NED |  |
| 2. | PETERS, Dimitri        | GER |  |
| 3. | BEHRLA, Benjamin       | GER |  |
| 3. | DARWISH, Ramadan       | EGY |  |
| 5. | BRATA, Daniel          | ROU |  |
| 5. | FABRE, Thierry         | FRA |  |
| 5. | MATYJASZEK, Przemyslaw | POL |  |
| 5. | ZHORZHOLIANI, Levan    | GEO |  |





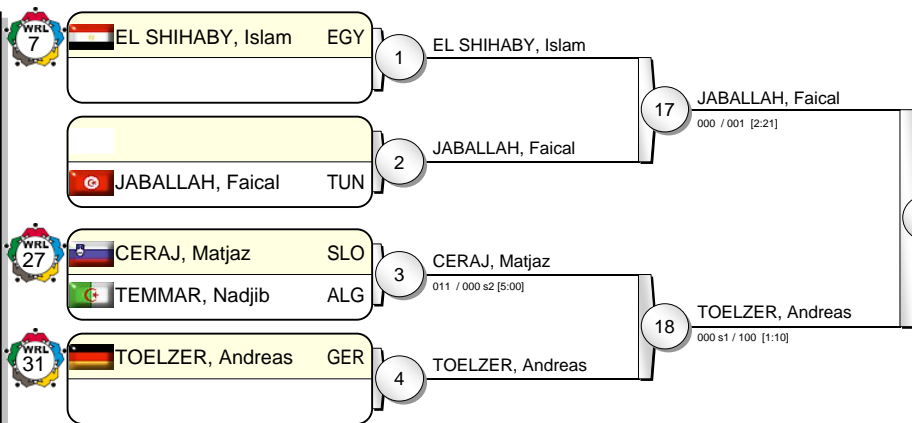
# IJF Grand Prix Tunis 2009

(TUN Tunis, 09-10 May 2009)

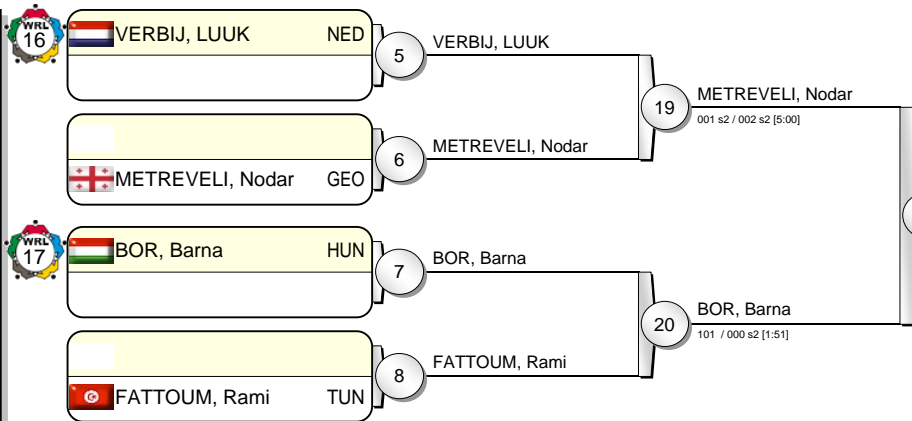
# +100 kg

17 Judoka

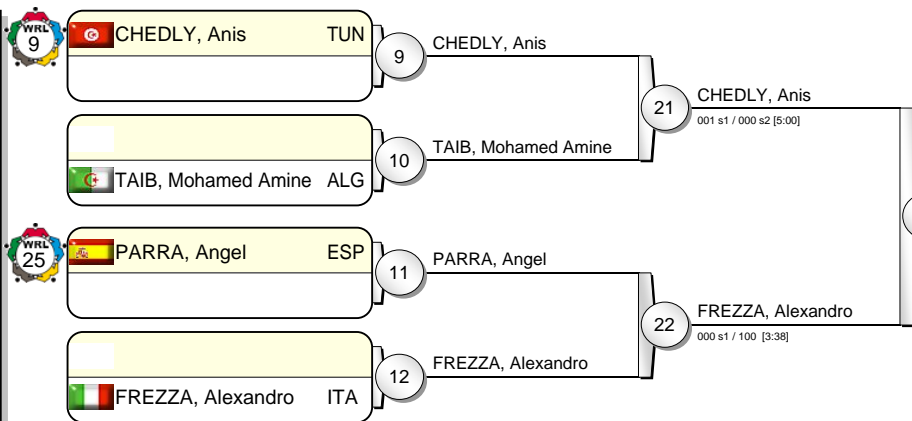
Pool A



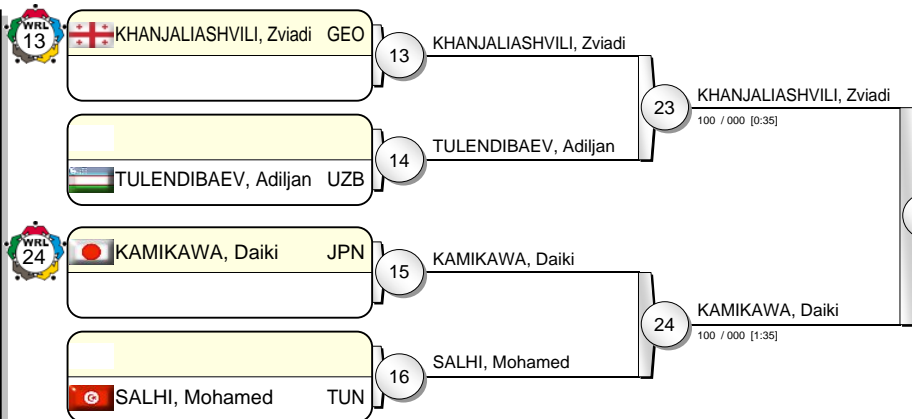
Pool B



Pool C



Pool D



CHEDLY, Anis (TUN) 31  
000 / 001 [2:42]

## Results

- CHEDLY, Anis (TUN)
- TOELZER, Andreas (GER)
- BOR, Barna (HUN)
- KHANJALIASHVILI, Zviadi (GEO)
- JABALLAH, Faical (TUN)
- METREVELI, Nodar (GEO)
- FREZZA, Alexandro (ITA)
- KAMIKAWA, Daiki (JPN)

